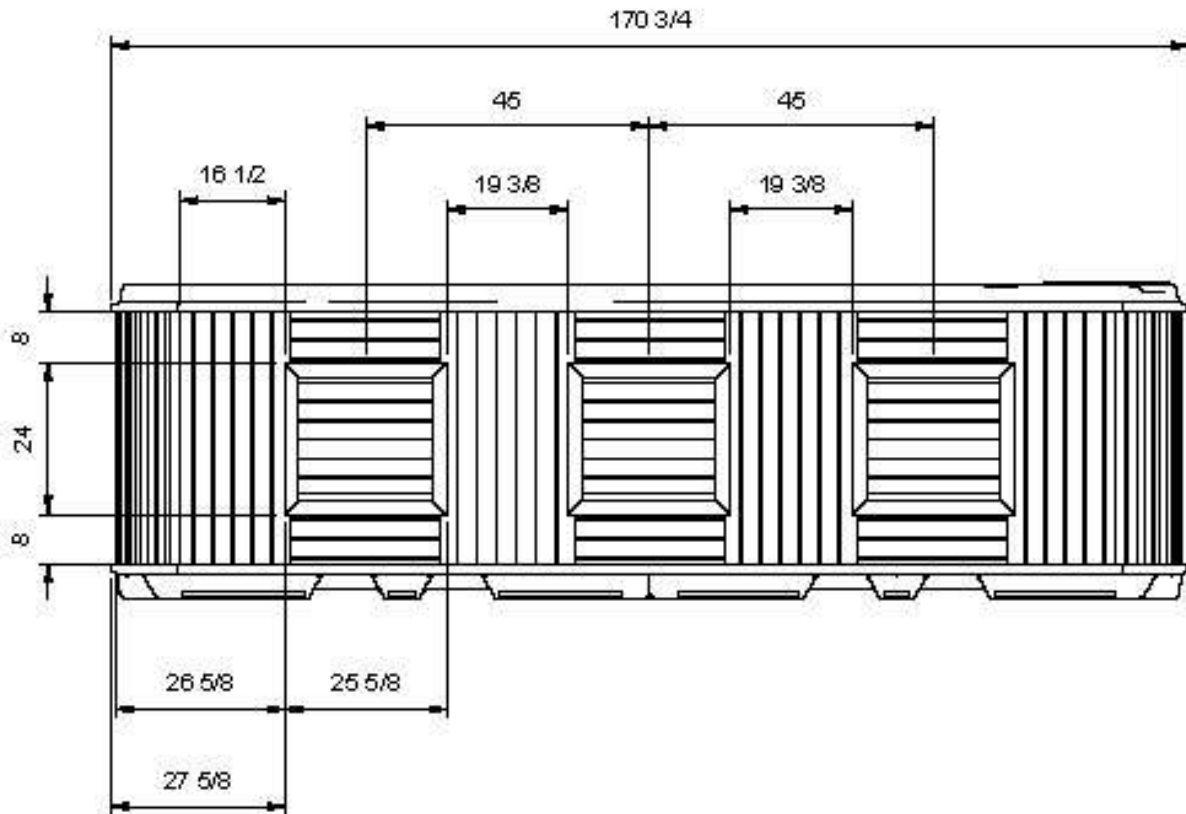


**DIMENSIONS IN INCHES**

\*\*\* DIMENSIONS ARE APPROXIMATE \*\*\*

DRAWN		Blue Falls Manufacturing Ltd.		
JLT	4/7/2016			
CHECKED		TITLE		
QA		SHELL_CABINET_FLOOR DIMENSIONS (in)		
MFG		SIZE	DWG NO	REV
APPROVED		A4		
		SCALE	SHEET 1 OF 4	

# LONG WALL

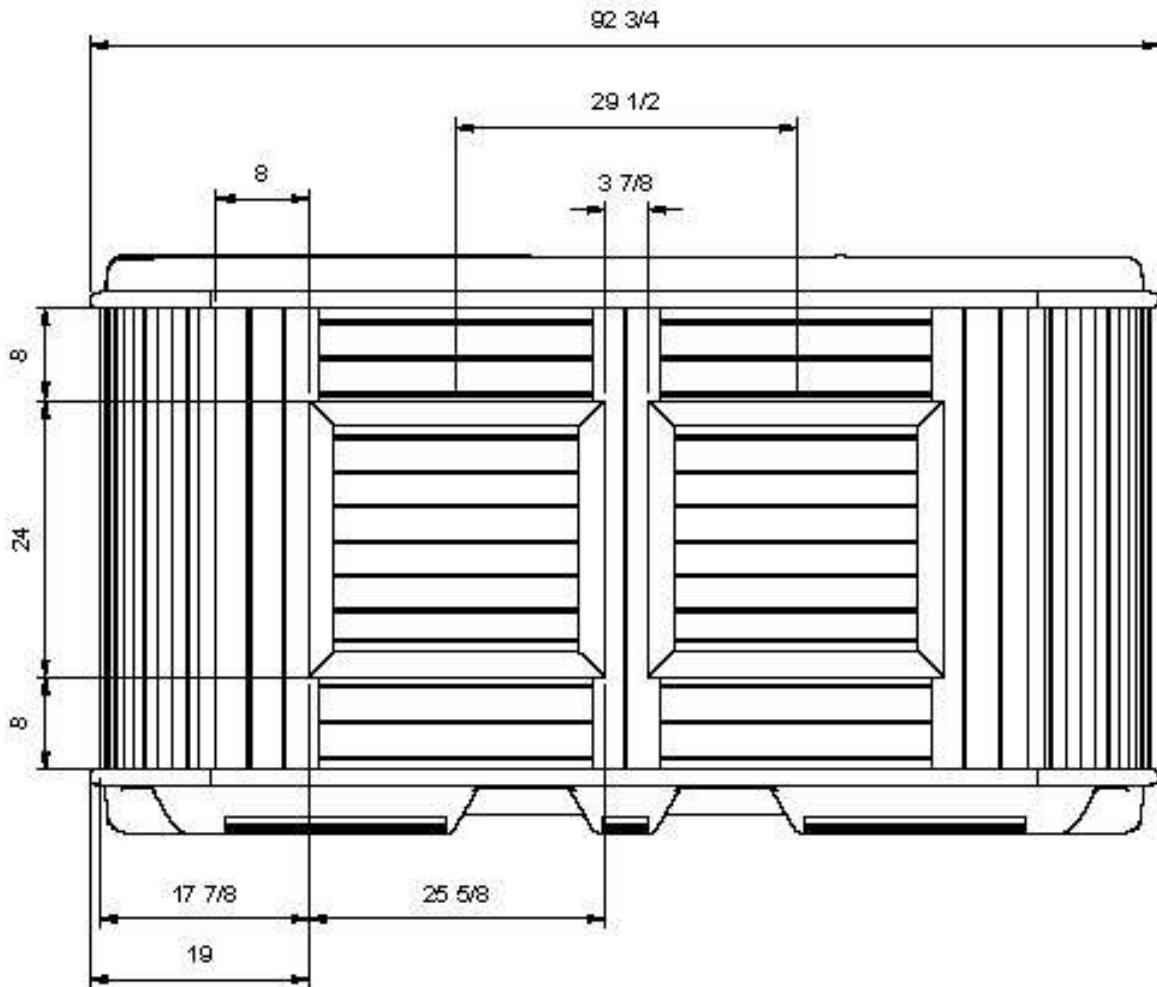


## DIMENSIONS IN INCHES

\*\*\* DIMENSIONS ARE APPROXIMATE \*\*\*

DRAWN JLT	4/7/2016	Blue Falls Manufacturing Ltd.		
CHECKED		TITLE		
QA		SHELL_CABINET_FLOOR DIMENSIONS (in)		
MFG		SIZE	DWG NO	REV
APPROVED		A4		
		SCALE		SHEET 2 OF 4

# SHORT WALL

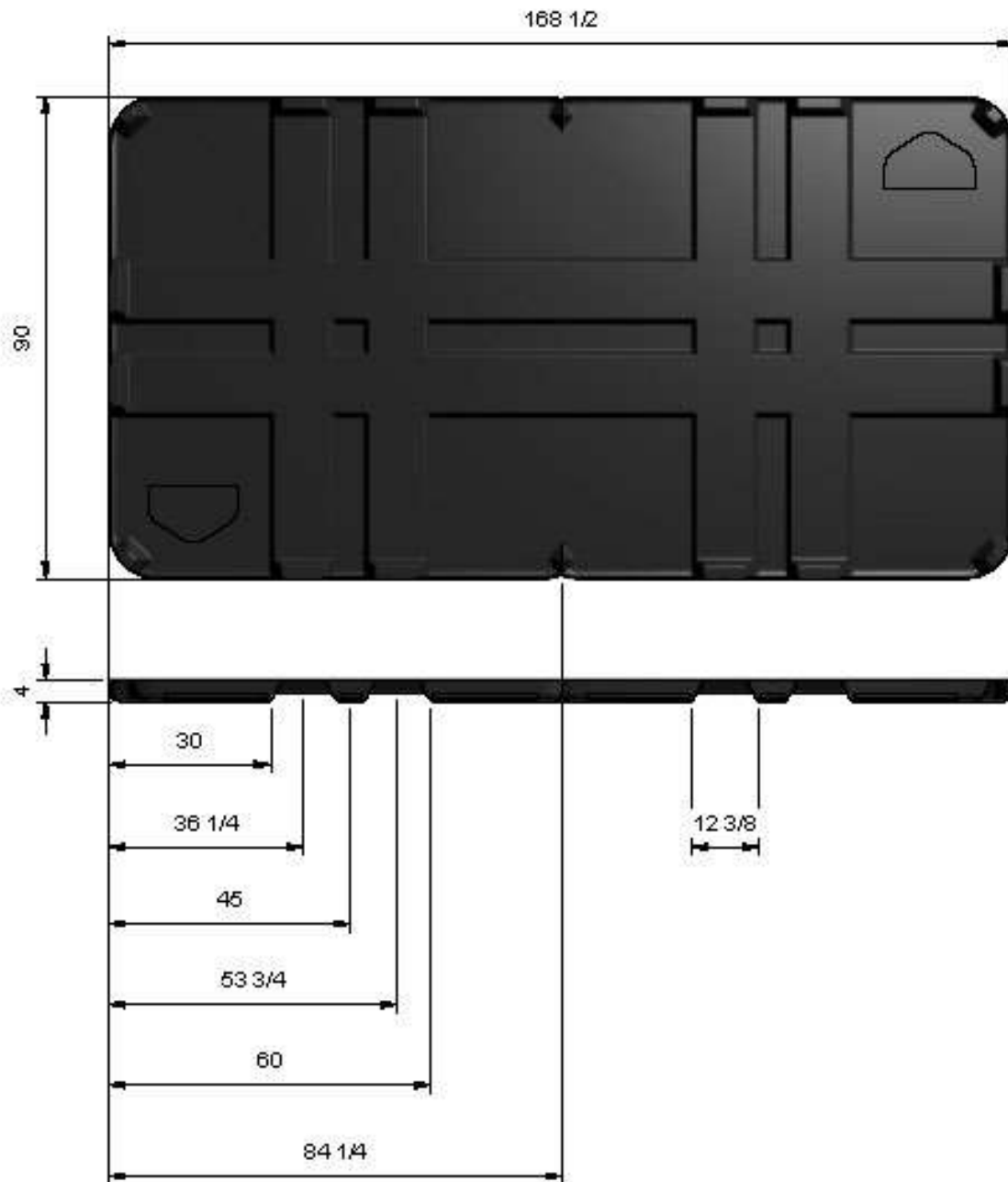


## DIMENSIONS IN INCHES

\*\*\* DIMENSIONS ARE APPROXIMATE \*\*\*

DRAWN JLT	4/7/2016	Blue Falls Manufacturing Ltd.		
CHECKED		TITLE		
QA		SHELL_CABINET_FLOOR DIMENSIONS (in)		
MFG		SIZE	DWG NO	REV
APPROVED		A4		
		SCALE	SHEET 3 OF 4	

# FLOOR LONG SIDE



**DIMENSIONS ARE IN INCHES**

**\*\*\* DIMENSIONS ARE APPROXIMATE \*\*\***

DRAWN JLT	4/7/2016	Blue Falls Manufacturing Ltd.		
CHECKED				
QA		TITLE		
MFG		SHELL_CABINET_FLOOR DIMENSIONS (in)		
APPROVED		SIZE	DWG NO	REV
		A4		
		SCALE		SHEET 4 OF 4